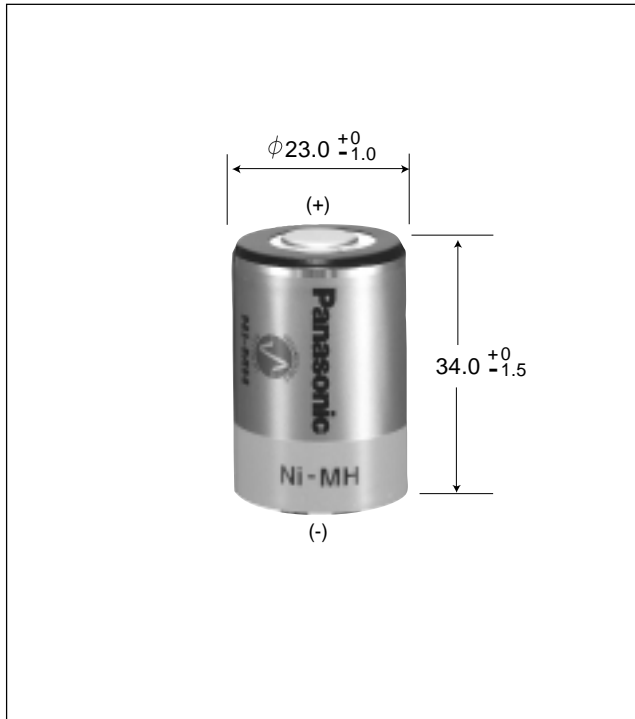
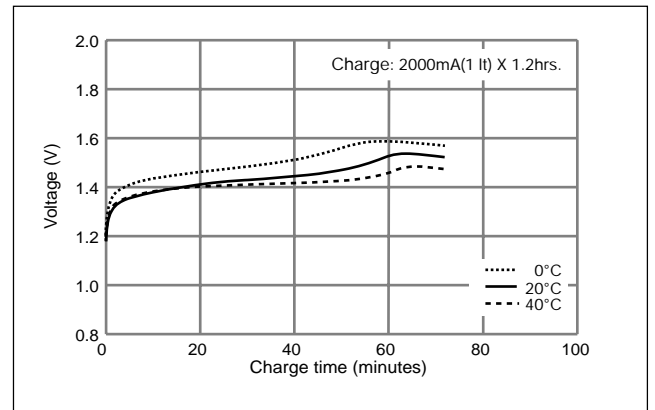


# HHR-200SCP/FT Cylindrical 4/5SC size

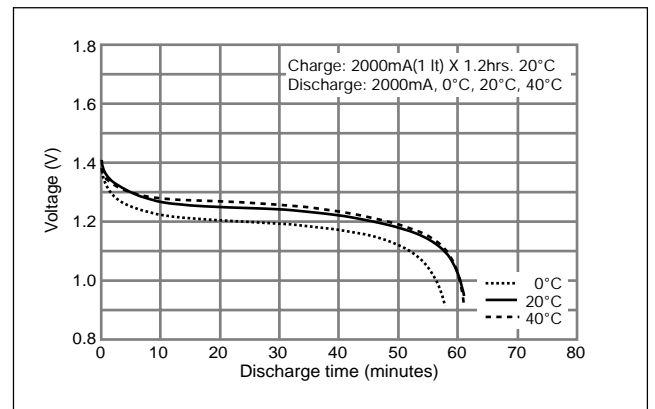
## Dimensions (with tube) (mm)



## Typical charge characteristics



## Typical discharge characteristics



## Specifications

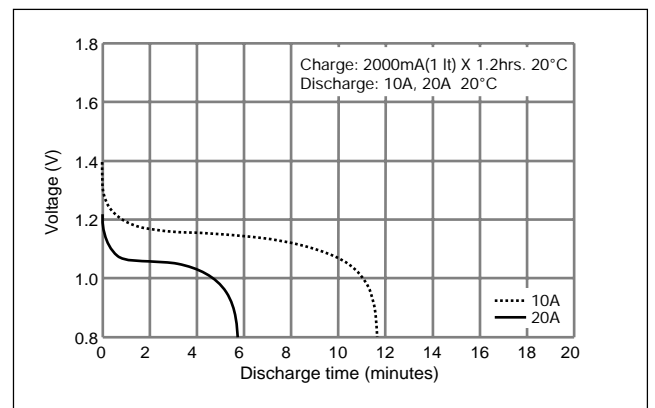
Diameter	23.0+0 / -1.0mm
Height	34.0+0 / -1.5mm
Approximate Weight	42g

Nominal Voltage		1.2V	
Discharge Capacity	Average <sup>*1</sup>	2,100mAh	
	Rated (min.)	1,900mAh	
Approx. Internal impedance at 1000Hz at charged state.		5m Ω	
Charge	Standard	200mA X 16hrs.	
	Rapid	2,000mA X 1.2hrs.	
Ambient Temperature	Charge	Standard	0°C to 45°C
		Rapid	10°C to 40°C
	Discharge		-10°C to 65°C
Storage	<1 year	-20°C to 35°C	
	<3 months	-20°C to 45°C	
	<1 month	-20°C to 55°C	

\*1 After charging at 0.1It for 16 hours, discharging at 0.2It.

\*2 For reference only.

Battery performance and cycle life are strongly affected by how they are used. In order to maximize battery safety, please consult Panasonic when determining charge/discharge specs, warning label contents and unit design.



\*The data in this document are for descriptive purposes only and are not intended to make or imply any guarantee or warranty.